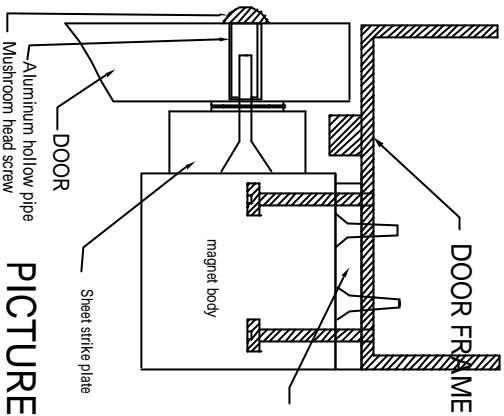
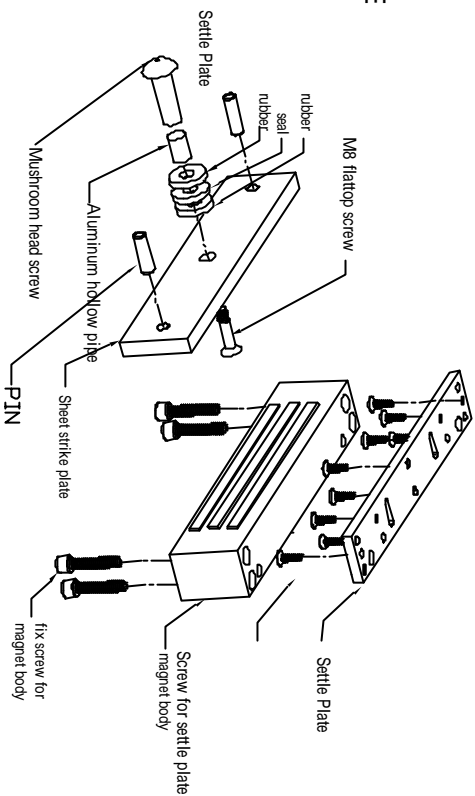


INSTALLATION STEPS FOR OUT SWING DOOR.



PICTURE 1

Installation steps of waterproof electromagnetic lock on out swing door.



PICTURE 2

1. ** Mounting bracket **

First, loosely attach the mounting bracket to the doorframe by inserting 2 screws through the 2 pre-drilled holes on both ends of the mounting bracket. Adjust the mounting bracket to the desired position and then tighten the bracket to the doorframe with another 10 screws.

2. ** Electromagnetic lock **

Insert the 4 included screws through the pre-drilled holes on the lock and screw tightly to the mounting bracket.

3. ** Magnetic plate **

First, locate the proper position on the door that corresponds to the position of the electromagnetic lock when closed. Insert the 2 PINs to the magnetic plate and drill 2 holes (about 6-7 mm) on the door at the proper locations to accommodate the 2 PINs. Drill a hole at the center of the plate all the way through the entire door. Insert the M8 flat-head screw through the center of the magnetic plate, through the door, the washers, the aluminum tub and the bolt. Do not install the magnetic plate to the Z bracket too tight. Leave some space to allow for best performance between the plate and the lock.



MODEL GL 600F GL601F																													
WATERPROOF ELECTRO-MAGENTTIC																													
INPUT VOALTAGE	12 - 24 VDC																												
ELECTRIC CURRENT	500 MA @ 12VDC																												
	250 MA @ 24VDC																												
HOLDING FORCE	400 LBS																												
SENSOR	NO, NC, COM(GL600F ONLY)																												
SENSOR	(GL601F NOT INCLUDE)																												
DIMENSION (L*W*H)	L 225*W65*H42																												
STRIKE PLATE	L 185*W61*H16																												
WEIGHT	5 KG																												
MATERIAL																													
MAGNETIC HOUSING	STAINLESS STEEL																												
PLATE	ALUMINUM																												
	<table border="0"> <tr> <td>RED</td> <td>NO</td> <td>RED</td> <td>NO</td> </tr> <tr> <td>WHITE</td> <td>NC</td> <td>WHITE</td> <td>NC</td> </tr> <tr> <td>BLACK</td> <td>COM</td> <td>BLACK</td> <td>COM</td> </tr> <tr> <td>BROWN</td> <td>COM</td> <td>BROWN</td> <td>COM</td> </tr> <tr> <td>PURPLE</td> <td>-</td> <td>PURPLE</td> <td>-</td> </tr> <tr> <td>BLUE</td> <td>12 VDC</td> <td>BLUE</td> <td>24 VDC</td> </tr> <tr> <td>YELLOW</td> <td>+</td> <td>YELLOW</td> <td>+</td> </tr> </table>	RED	NO	RED	NO	WHITE	NC	WHITE	NC	BLACK	COM	BLACK	COM	BROWN	COM	BROWN	COM	PURPLE	-	PURPLE	-	BLUE	12 VDC	BLUE	24 VDC	YELLOW	+	YELLOW	+
RED	NO	RED	NO																										
WHITE	NC	WHITE	NC																										
BLACK	COM	BLACK	COM																										
BROWN	COM	BROWN	COM																										
PURPLE	-	PURPLE	-																										
BLUE	12 VDC	BLUE	24 VDC																										
YELLOW	+	YELLOW	+																										