

INSTALLED INSTRUCTION

LK1201A

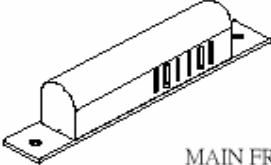
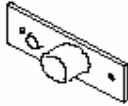







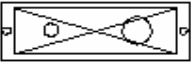
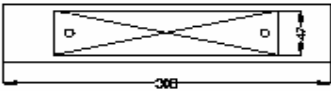

ELECTRIC BOLT



➤ SPECIFICATION

DESCRIPTION	LK1201A
Door monitoring output (reel sensor NO/NC)	⊙
Input Voltage	12 VDC
Current Draw	
Switch on	900mA
Normal on	380mA
Dimensions(L x W x D)	
Surface magnet	205 x 32 x 43 mm
Stike plate	104 x 25.4 x 3.5 mm
Locking bolt	∅16 x 16 mm
Material Armature housing	Aluminum

ACCESSORIES LIST

STANDARD PARTS OF DOOR FRAME	STANDARD PARTS OF BOLT
 MAIN FRAME*1	 DOOR BOLT PLATE *1
 FIXED PLATE *2	 FIXED PLATE*2
 WOOD-WORK SCREW*2  FLAT HEAD SCREW M5 *4	 WOOD-WORK SCREW*2  FLAT HEAD SCREW M5*4
 STEEL PLATE*1	 FIXED STICKER*1
 FIXED STICKER*1	 JOIN 6 PIN*1

➤ ELECTRICAL INSTALLATION

OPEN UPON CURRENCT OFF, WITH PUSH BUTTON, CONTACTOR, RE-LOCK IN 5 SCECONDS.

RED - 12VDC +

BLACK - GND -

YELLOW BUTTON connect - line

BLUE - COM

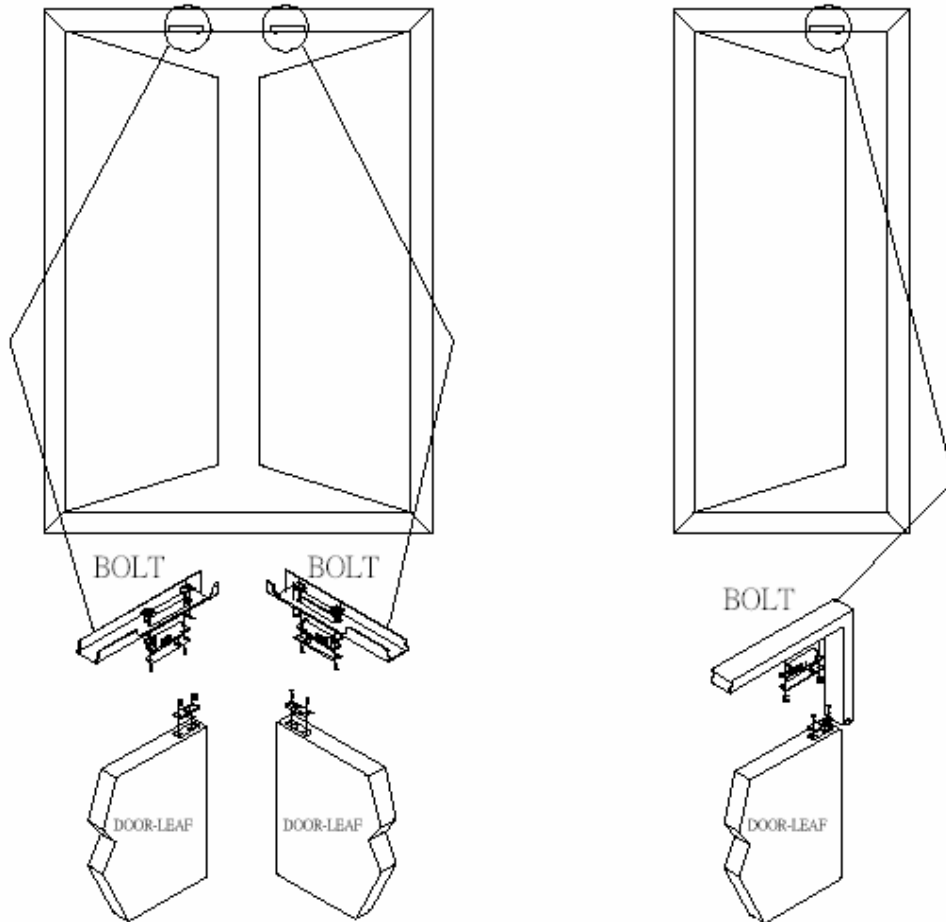
WHITE - NO

GRAY - NC

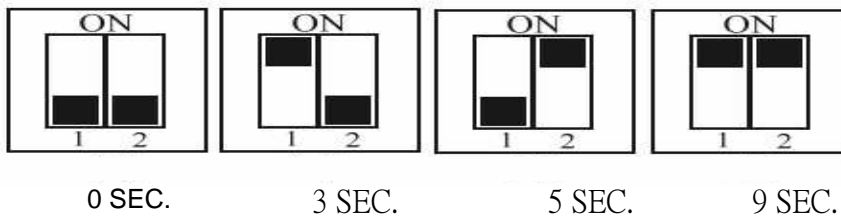
MOUNTING FIGURE

DOUBLE DOOR-LEAF

SINGLE DOOR-LEAF



Setting of lock delay time



CAUTION

1. RE-CHECK THE BOLT IS UNDER DUTY AND PROPER DIRECTION.
2. MAKE SURE THE WIRE(+,-) IS NOT UNCROWDED OR WRONG DIRECTION. MEANWHILE THE NO. NC. IS OK.
3. THE TEMPERATURE OF ELECTRONIC CURRENT HAVE TO KEEP UNDER 50C. IF NOT, THE FUSE WILL NOT BE OPERATE.