

Contents

1 Product



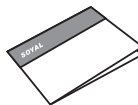
AR-PB-321

OR



AR-PB-323

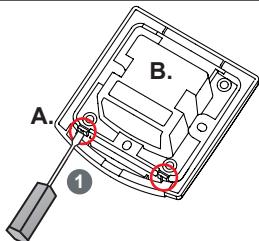
2 User Guide



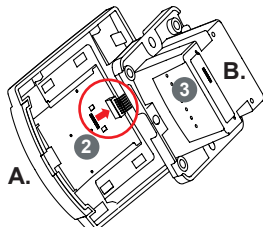
3 Screws



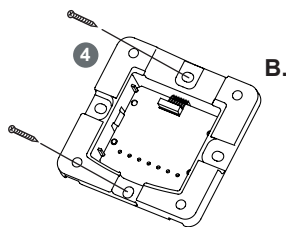
Installation



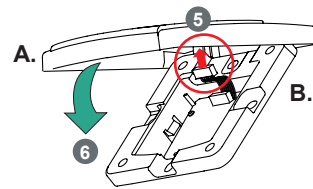
Turning back the housing, prying two tenons open as marked in circle. Please take off B. carefully to prevent cables broken by forced pull.



Loosening connector from socket of A. And then, screwing cables.



Using a screwdriver, screw the B. to the wall.



Connect cable back and push Part A. to Part B..

Specification

AR-PB-321

Input	V+	9~16VDC
	V-	0V
	DO NOT Disturb LED	Low Active / 20mA Max
	Clean up LED	Low Active / 20mA Max
Output	Bell Relay	Form A Clean Contact 30VDC/7A, 250VA/7A

AR-PB-323

Input	V+	9~16VDC	
	V-	0V	
	DO NOT Disturb LED	Touch Panel	
	Clean up LED	Touch Panel	
Output	DO Not Disturb	LED Driver	Open Collect 12VDC/50mA Max
		Relay	Form A Clean Contact 24VDC/2A, 125VAC/1A
	Clean up	LED Driver	Open Collect 12VDC/50mA Max
		Relay	Form A Clean Contact 24VDC/2A, 125VAC/1A

Connector Setting

AR-PB-321

GND	1	DC 0V
VCC	2	DC 9~16V
COM	3	COM of Door Bell Relay
NC1	4	N.C. of Door Bell Relay
NO1	5	N.O. of Door Bell Relay
LED1	6	LED signal of Clean up
LED0	7	LED signal of DO NOT Disturb

AR-PB-323

GND	1	DC 0V
VCC	2	DC 9~16V
COM	3	COM of DO NOT Disturb and Clean up Relay
NO2	4	N.O. of Clean up Relay
NO1	5	N.O. of DO NOT Disturb Relay
LED1	6	LED signal of Clean up
LED0	7	LED signal of DO NOT Disturb

AR-PB-323 Jumper Setting

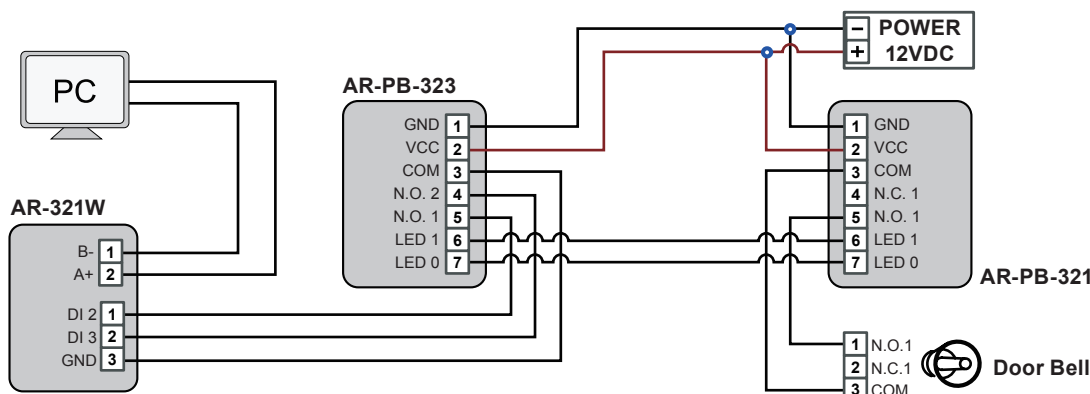
DO NOT Disturb

A Remain Clean up fuction after "DO NOT Disturb".

B Disable clean up fuction after pressed "DO NOT Disturb".

※ Please shift Jumper before installation.

Wiring Diagram



i The sensitivity of button will be affected by environment, and touch IC has function of auto-proofread sensitivity. If you have a bad contacting on button, please release the power and connect it again.